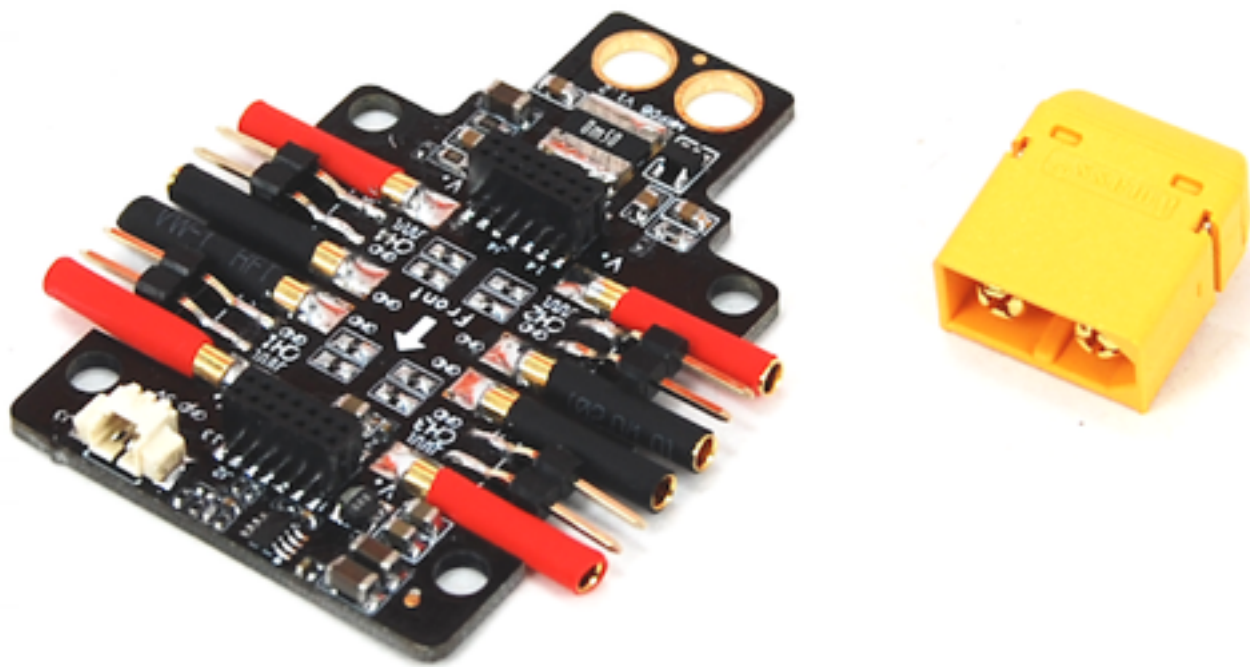


MindRacer power distribution board

The MindRacer Power distribution board is designed to eliminate the needs for soldering ESC endpoints which cause the replacement of ESC in the field very inconvenient. The MRPDB also routes out the flight controller's PWM outputs so the wiring is also a lot tidy.

The MRPDB integrates 5V BEC for flight controller and FPV camera, together with built-in voltage and current sensor.



Specification

Dimension

58mm x 35mm x 1.6mm (30.5mm mounting holes)

Weight

9g (XT60 socket not included)

Input 2S ~ 4S (14.8V)

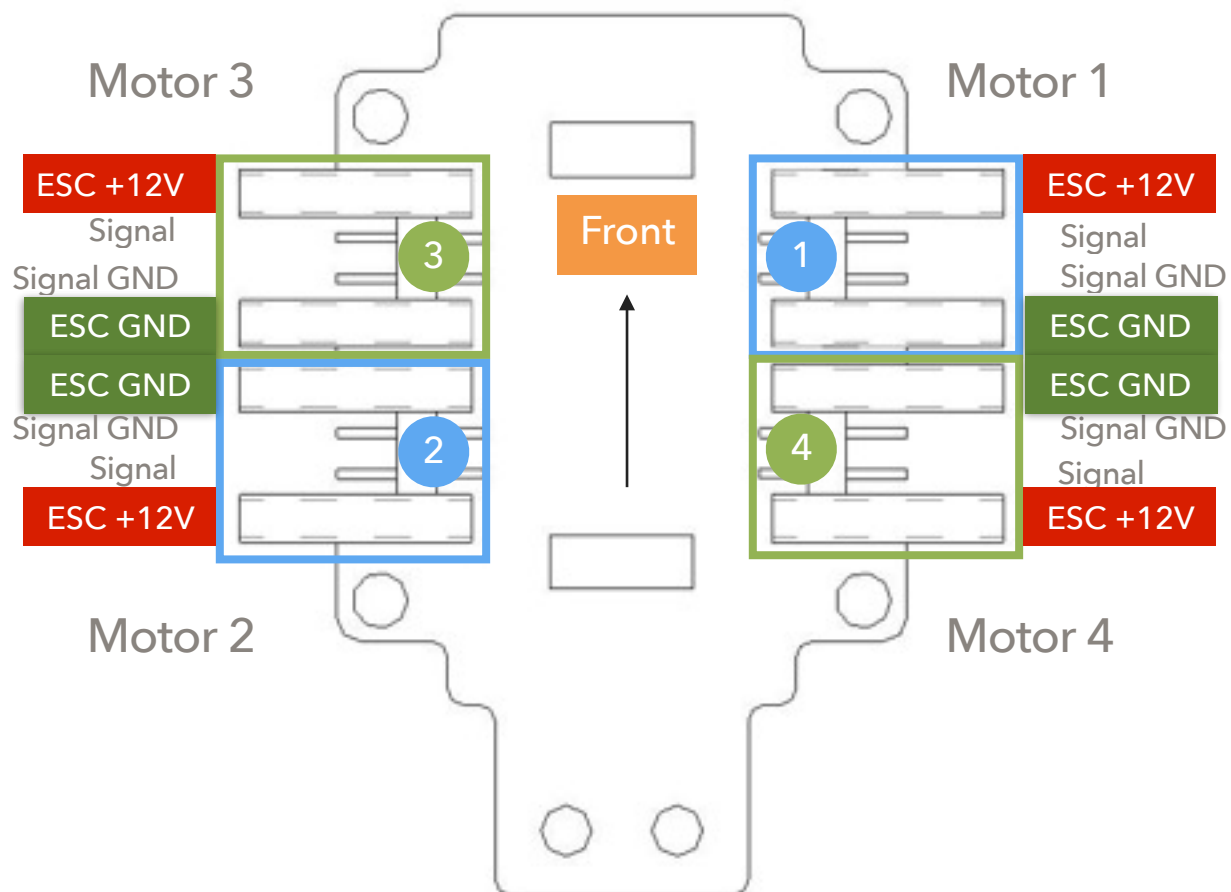
Output 5V (to flight controller), 5V (to FPV camera), ESC power (battery voltage)

Current Rating

30A maximum for each SEP (Soldering Elimination Port) interface
3A@5V

Connectors

Dual 2x7 female headers (1.27mm) WEP (Wiring Elimination Port)
4 x SEP (Soldering Elimination Port) interfaces, each consists of
2 x female bullet plug connector, 2mm(diameter) x 14.6mm(length)
2 x 2.54mm pin headers for PWM signal



Where to buy

[AirMind Store](#)

Schematic & PCB

For precise artwork for WEP and SEP interface, please download from following link:

[AirMind Store](#)